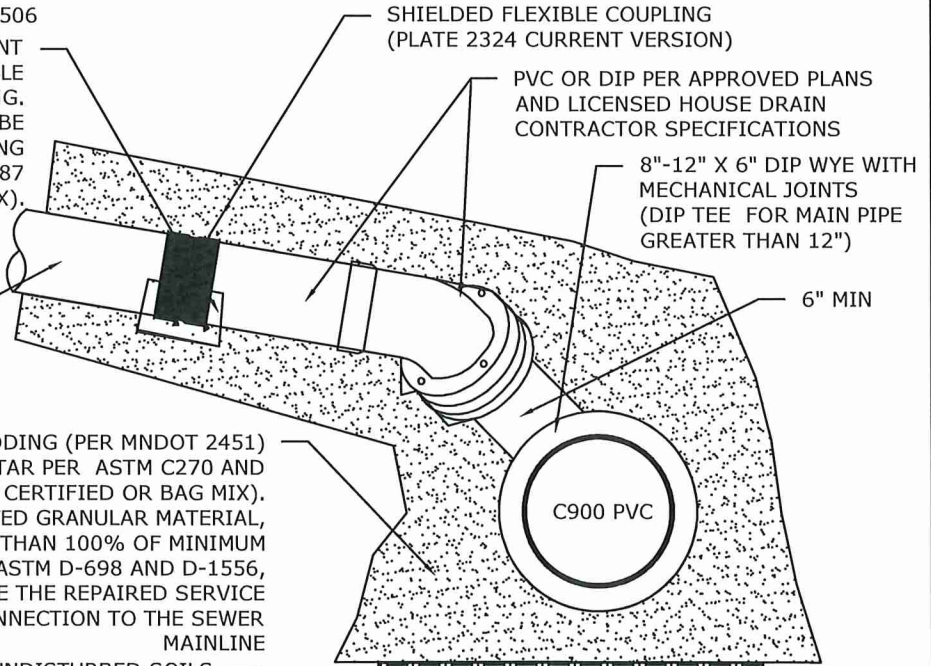


SOLID MASONRY BLOCK SUPPORTS (TYP.)
5000 PSI, ASTM C139, 8"X8"X16" AND
PER ST PAUL SPECIFICATION SECTION
2506

PLACE AIR ENTRAINED CEMENT
MORTAR UNDER SHIELDED FLEXIBLE
COUPLING.
AIR ENTRAINED CEMENT MORTAR TO BE
UNDERGROUND UTILITY MIX COMPLYING
WITH ASTM C270 AND ASTM C387
(PLANT CERTIFIED OR BAG MIX).



COMPACTED GRANULAR PIPE BEDDING (PER MNDOT 2451)
OR AIR ENTRAINED CEMENT MORTAR PER ASTM C270 AND
ASTM C387 (PLANT CERTIFIED OR BAG MIX).
-AT MINIMUM, PLACE COMPACTED GRANULAR MATERIAL,
COMPACTED TO NOT LESS THAN 100% OF MINIMUM
DENSITY IN ACCORDANCE WITH ASTM D-698 AND D-1556,
TO A POINT 12-INCHES ABOVE THE REPAIRED SERVICE
LATERAL PIPING AND CONNECTION TO THE SEWER
MAINLINE

I hereby certify that this plan, specification or
report was prepared by me or under my direct
supervision and that I am a duly Licensed
Professional Engineer under the laws of the
State of Minnesota

Aaron D. Hass
AARON D. HASS

Date 2-10-2025 Lic. No. 26424

- UNDISTURBED SOILS
- NOTES:
1. SUBMIT PRODUCT SHOP DRAWINGS TO ENGINEER & CITY SEWERS DEPARTMENT FOR
REVIEW
2. ROMAC CB SADDLE PER STANDARD PLATE NO. 2337 MAY BE USED IF ADJACENT SERVICES
ARE IMPACTED OR DIRECTLY ACROSS
3. WHEN ANOTHER SERVICE LATERAL IS DIRECTLY ACROSS, REPLACE A PORTION OF THE
MAINLINE WITH C900 PVC AND THEN CORE DRILL TWO NEW ROUND HOLES PER CITY
STANDARD PLATES 2324, 2337(CURRENT VERSION)
4. CONTRACTOR TO INSTALL APPROVED PRODUCT PER MANUFACTURER SPECIFICATIONS

<p>APPROVED <i>Nickelstein</i> 3/21/25 CITY ENGINEER</p>	<p>CITY OF ST. PAUL DEPARTMENT OF PUBLIC WORKS DIP WYE CONNECTION WITH SANITARY MAIN REPAIR</p>	<p>Date of Revision FEB 2025</p>	<p>Standard Plate No. 2340A</p>
--	---	--	---