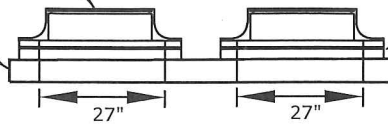


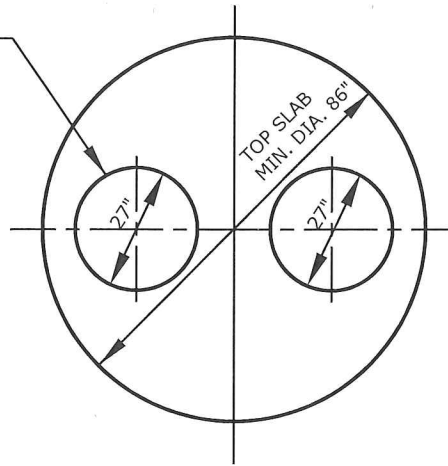
FRAME AND COVER CASTINGS A & B,
STD. PLATES 2201E & 2202D

COVER SLAB TO MEET OR EXCEED
AASHTO HS 25 LOADING

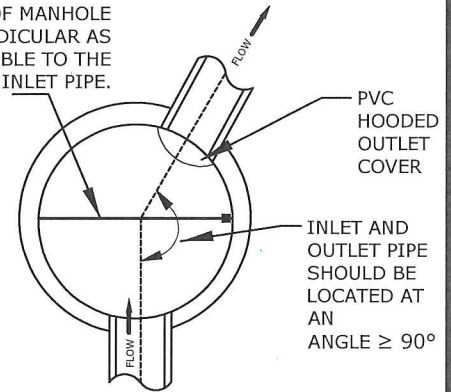
ADJUST TO GRADE PER
STD. PLATE 2321A



27" DIA. OPENING
TANGENT TO THE INSIDE
WALL OF MH AND OVER
INLET PIPE (FIELD
VERIFY LOCATION)



MOUNT BAFFLE AT THE
CENTER OF MANHOLE
AS PERPENDICULAR AS
POSSIBLE TO THE
INLET PIPE.



COVER SLAB DETAILS

NO SCALE

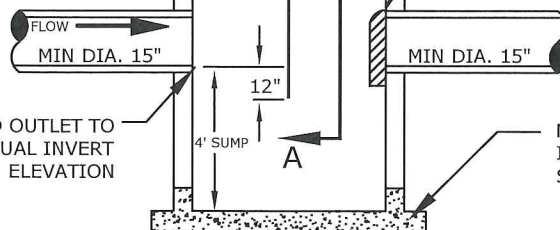
BAFFLE AND HOODED OUTLET
COVER INSTALLATION PLAN

PLACE 2 ROWS OF RAM-NEK
OR CITY APPROVED EQUAL,
TO SEAL TOP SLAB TO MH RISER.

CONTRACTOR TO SUPPLY AND INSTALL
POST CONSTRUCTION STORMWATER
TREATMENT SYSTEM PER CONTRACT
SPECIFICATIONS AND MANUFACTURERS
SPECIFICATIONS.

SUBMIT SHOP DRAWINGS TO CITY PRIOR
TO FABRICATION AND INSTALLATION

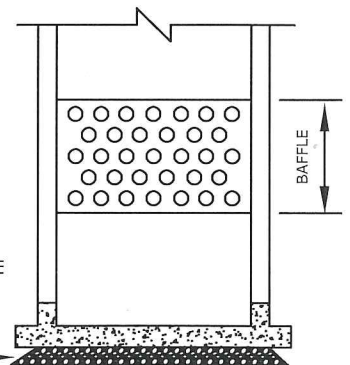
INLET AND OUTLET TO
HAVE AN EQUAL INVERT
ELEVATION



PVC HOODED OUTLET COVER AT THE OUTLET PIPE.
INSTALL HOOD "BEFORE" MH COVER SLAB IS
INSTALLED.

MONOLITHIC
INTEGRAL BASE
SLAB (TYP.)

CONSTRUCT 12"
COMPACTED CLASS
V AGGREGATE



SEC. A-A

I hereby certify that this plan, specification or
report was prepared by me or under my direct
supervision and that I am a duly Licensed
Professional Engineer under the laws of the
State of Minnesota

Aaron D. Hass

Aaron D Hass

Date 2/27/2020 Lic. No. 26424

APPROVED 2-27-2020
Paul Kurtz
CITY ENGINEER

CITY OF ST. PAUL
DEPARTMENT OF PUBLIC WORKS
STORM SEDIMENT
TRAP MANHOLE

Date of
Revision
FEB
2020

Standard
Plate
No.
2112A