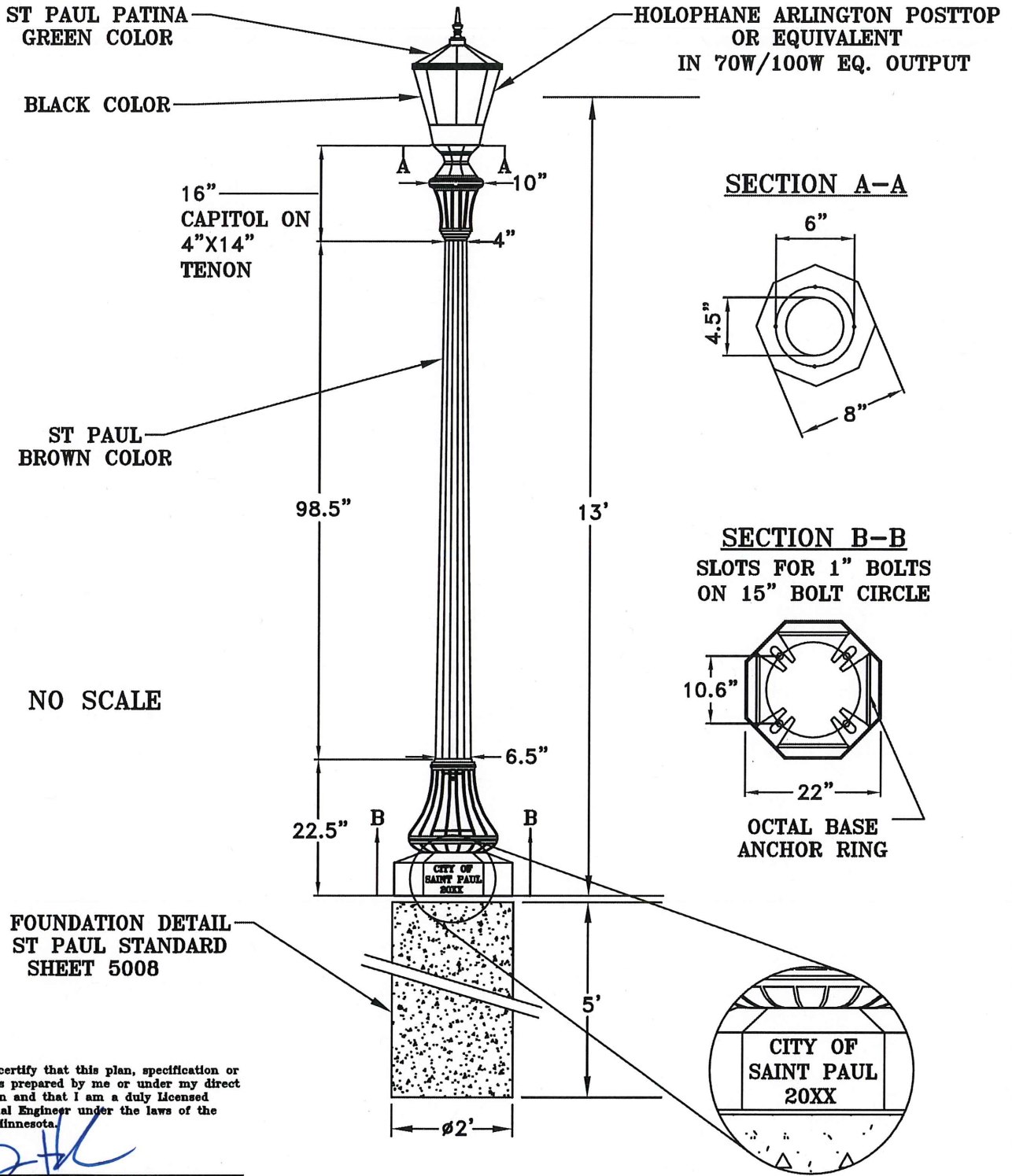


# L10 SINGLE LANTERN STANDARD DETAIL



NO SCALE

FOR FOUNDATION DETAIL  
SEE ST PAUL STANDARD  
SHEET 5008

I hereby certify that this plan, specification or report was prepared by me or under my direct supervision and that I am a duly Licensed Professional Engineer under the laws of the State of Minnesota.

*[Signature]*  
BENJAMIN J. HAWKINS

Date: 3/21/19 Lic. No. 48104

APPROVED 3/21/19  
*[Signature]*  
CITY ENGINEER

CITY OF ST PAUL DEPARTMENT OF PUBLIC WORKS  
L10 LANTERN STANDARD DETAIL

DATE OF REVISION:  
NOVEMBER 2018

STANDARD PLATE NO. 5056