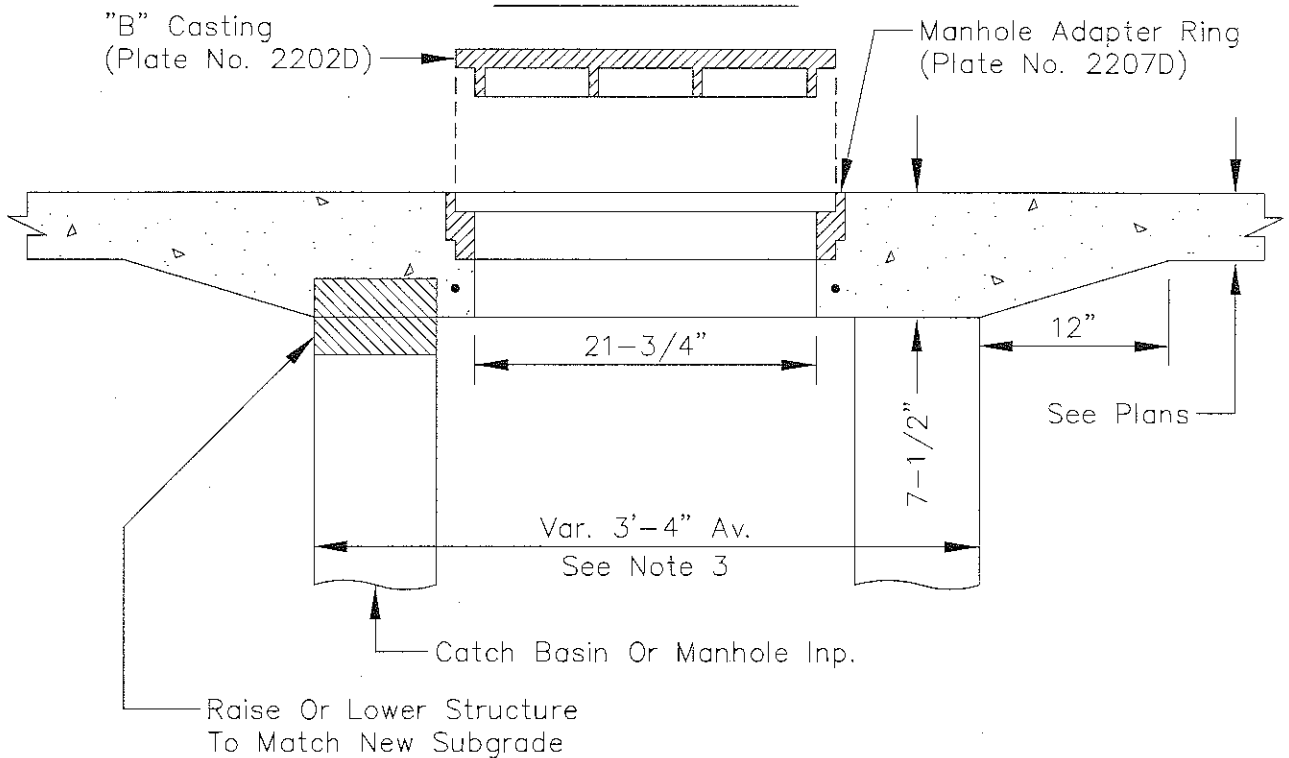
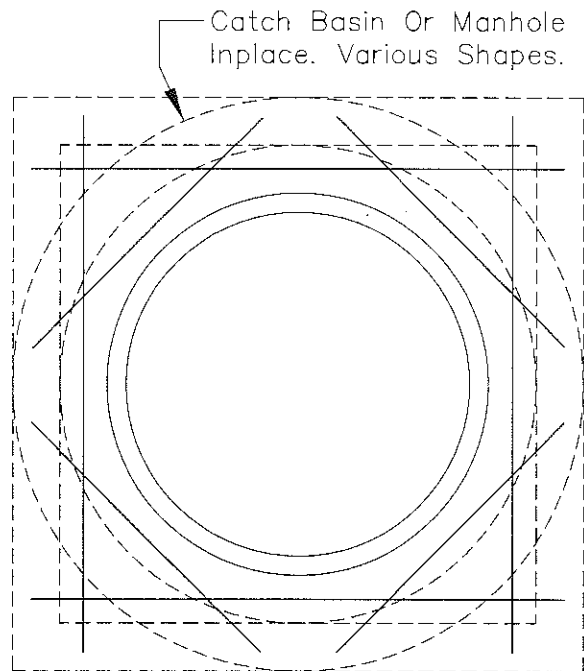


DESIGN A



NOTE:

1. 2" Clearance From Bottom Of Concrete To Reinforcing.
2. Do Not Carry Reinforcing Beyond Edge Of Structure.
3. Limit Of This Work For Payment Purpose Is Outside Edge Of Structure.
4. Existing "J" Cover Castings Shall Not Be Reused.
5. All Form Work And Construction Materials Due To Contractor's Operation Shall Be Removed From Catch Basin Or Manhole.
6. Reinforcing Steel To Be Grade 60 Fusion Bonded Epoxy Coated Per ASTM A775.
7. All Cast In Place Concrete Shall Be Mn/DOT Mix 3G52 And Shall Be Rodded In Place Or Mechanically Vibrated To Assure Density And Eliminate Honeycombing.



No. 6 Bars

DESIGN A

REINFORCING DETAIL

I hereby certify that this plan, specification or report was prepared by me or under my direct supervision and that I am a duly Licensed Professional Engineer under the laws of the State of Minnesota

DANIEL A. HAAK

DANIEL A. HAAK

Date 1/13/17 Lic. No. 17274

APPROVED 1 17 17
Paul Kurtz
 CITY ENGINEER

CITY OF ST. PAUL
 DEPARTMENT OF PUBLIC WORKS
 MANHOLE OPENING IN CONC. SIDEWALK
 DESIGN A

Date of Revision
 JAN 2017

Standard Plate No.
 1301D