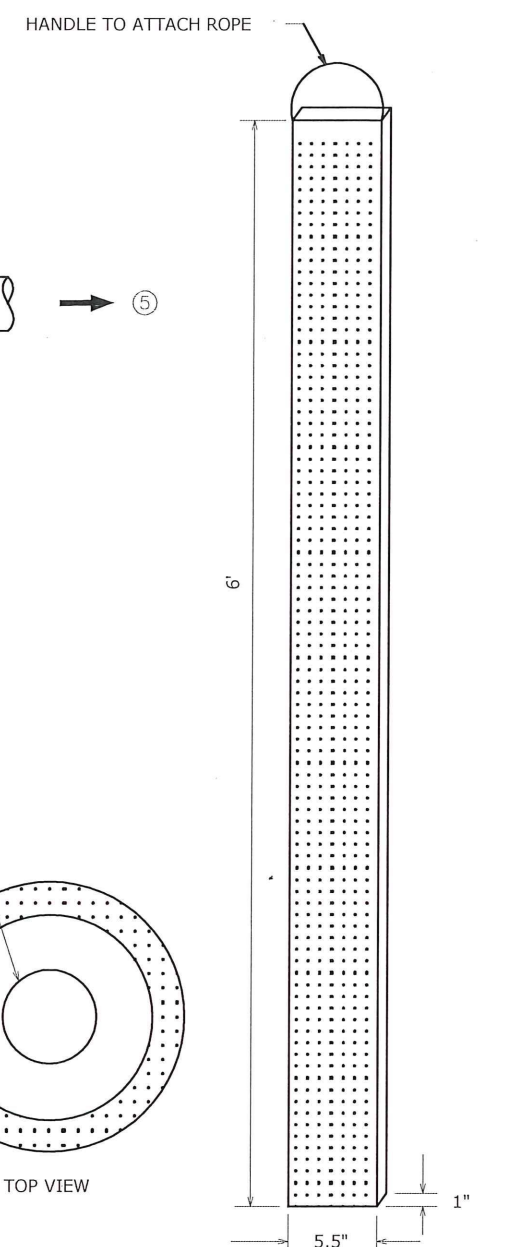
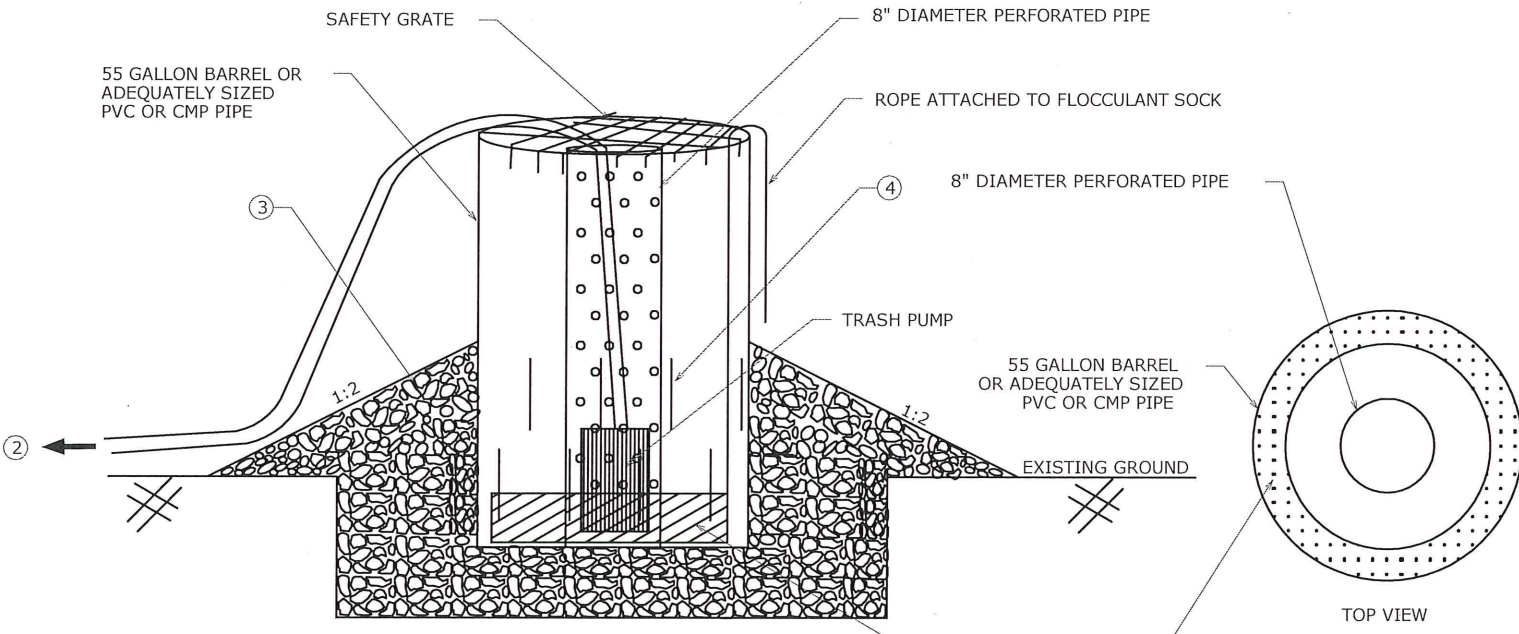
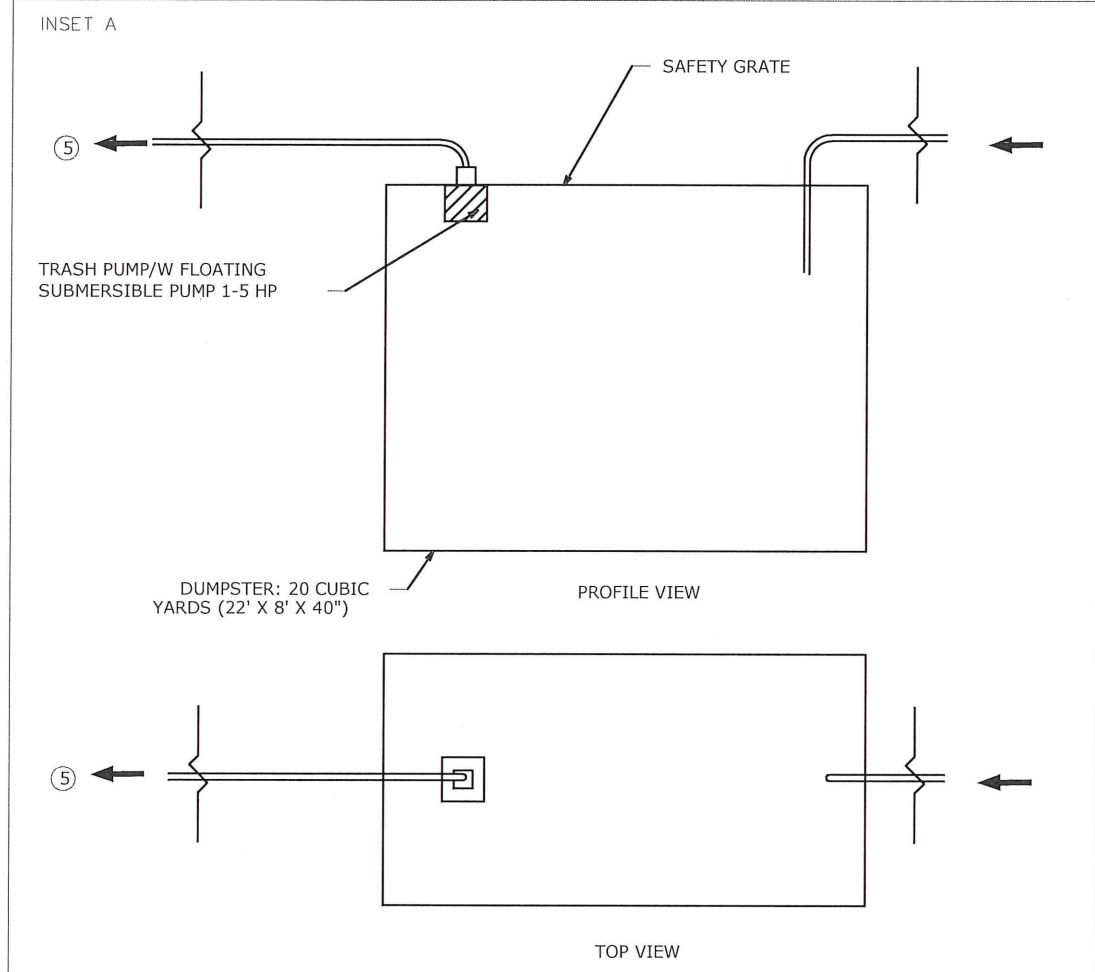


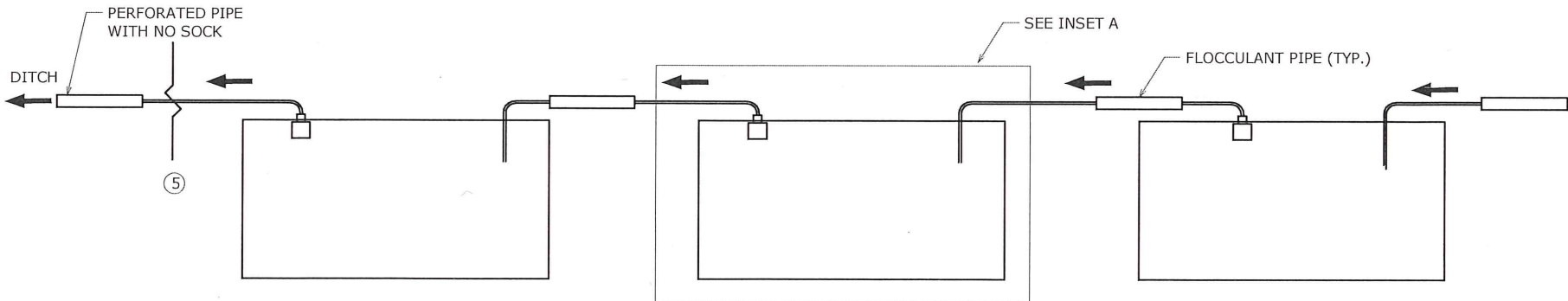
FLOCCULANT PIPE



FLOCCULANT SOCK



DEWATERING DEVICE



SEDIMENT CONTAINMENT SYSTEM

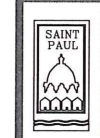
SPECIFIC NOTES:

- ① DEWATERING DEVICE SHOULD BE PLACED AT THE LOW POINT OF THE AREA TO DRAIN
- ② MUST DISCHARGE WATER TO AN APPROPRIATE LOCATION SUCH AS A SMALL SETTLING BASIN OR SEDIMENT CONTAINMENT SYSTEM. DO NOT DISCHARGE TO AN EXISTING SURFACE WATER. MUST USE APPROPRIATE ENERGY DISSIPATION TO PREVENT SOIL SCOUR AND TRANSPORT.
- ③ 1" - 2" DIAMETER CLEAN ROCK. ROCK IS TO BE PLACED 2 INCHES ABOVE HIGHEST SLIT IN BARREL.
- ④ 0.25" TO 0.5" X 12" SLITS CUT INTO LOWER HALF OF BARREL.
- ⑤ MUST DISCHARGE WATER INTO ANOTHER SEDIMENTATION TANK AND REPEAT PROCESS AT LEAST THREE TIMES OR AS NEEDED UNTIL WATER IS CLEAR. DO NOT DISCHARGE WATER TO AN EXISTING SURFACE WATER.

GENERAL NOTES:

- CLEAR TO BE DEFINED AS: VISIBILITY CLEAR WITH A MAXIMUM NTU (MEASUREMENT OF TURBIDITY) READING OF 50 PLUS THE BACKGROUND RECEIVING WATER AT THE TIME OF DISCHARGE. THE PH OF THE DISCHARGE WATER MUST BE BETWEEN 6.1 AND 8.5, WITH 7.0 AS THE GOAL.
- THIS DRAWING IS PROVIDED FOR CONCEPTUAL PURPOSES ONLY, INDIVIDUAL DESIGN AND CONSTRUCTION OF HOUSING UNITS ARE SITE SPECIFIC.

REVISION:
 DATE APPROVED: 7/14/17
Fault
 CITY ENGINEER



I hereby certify that this plan, specification or report was prepared by me or under my direct supervision and that I am a duly Licensed Professional Engineer under the laws of the State of Minnesota
Alan Hans
 SEWER DESIGN ENGINEER
 Date: 7-11-17 Lic. No. 26424

TEMPORARY SEDIMENT CONTROL
 PORTABLE SEDIMENT CONTAINMENT SYSTEM

STANDARD PLATE NO. 2403