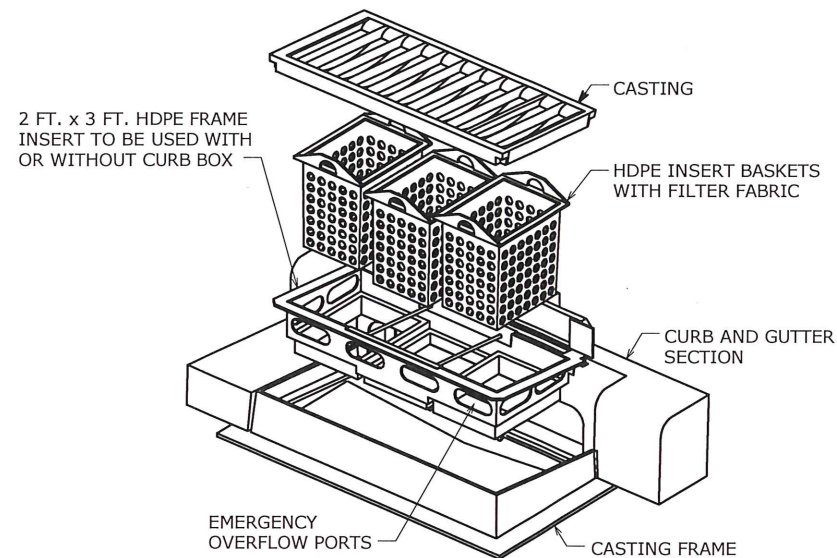


TYPE 7A AND 7B CATCH BASIN (2' X 3')

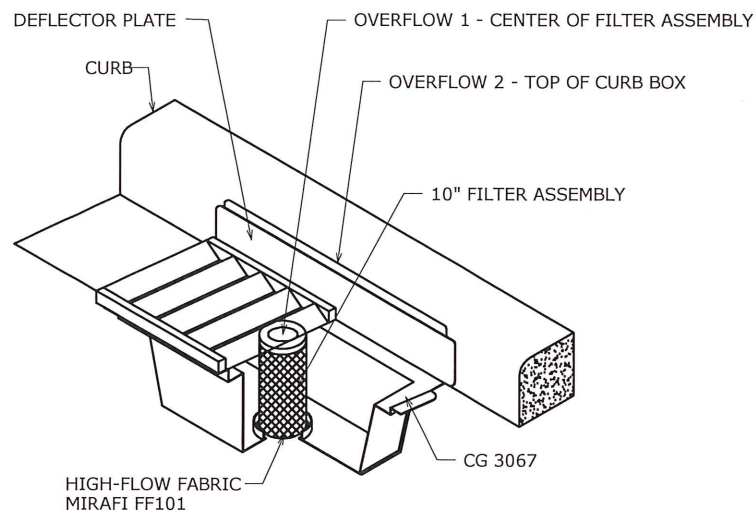
OPTION 1



NOTES:

- HDPE INSERT BASKETS SHALL BE EMPTIED WHEN 2/3 FULL AND GEOTEXTILE FILTER FABRIC SHALL BE REPLACED, AS REQUIRED, IF DEFECTS EXIST.
- INLET PROTECTION DEVICE AS MANUFACTURED BY ROYAL ENVIRONMENTAL SYSTEMS OR ENGINEER APPROVED EQUAL.

OPTION 2

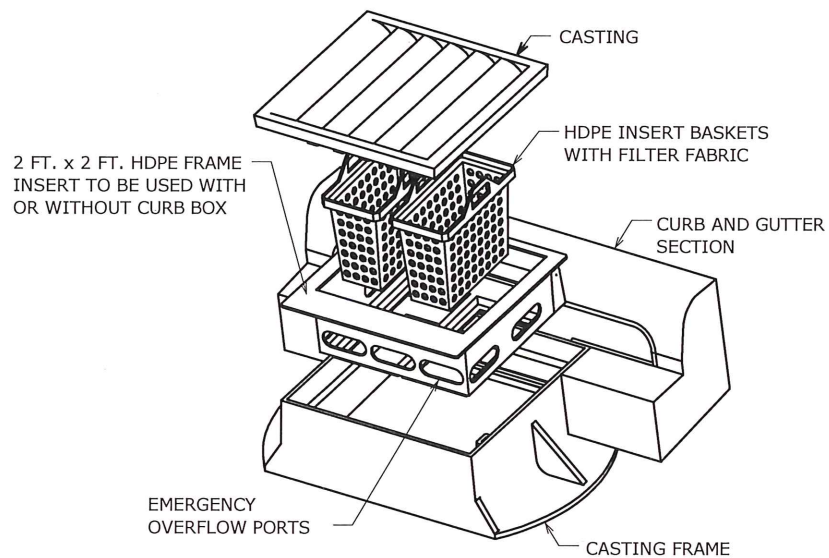


NOTE:

- INLET PROTECTION DEVICE AS MANUFACTURED BY WIMCO OR ENGINEER APPROVED EQUAL.

TYPE 5A AND 6A CATCH BASIN (2' X 2')

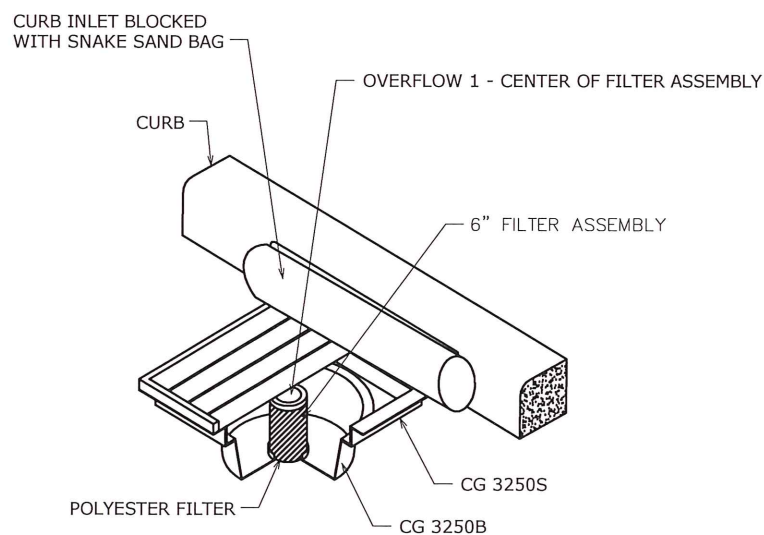
OPTION 1



NOTES:

- HDPE INSERT BASKETS SHALL BE EMPTIED WHEN 2/3 FULL AND GEOTEXTILE FILTER FABRIC SHALL BE REPLACED, AS REQUIRED, IF DEFECTS EXIST.
- INLET PROTECTION DEVICE AS MANUFACTURED BY ROYAL ENVIRONMENTAL SYSTEMS OR ENGINEER APPROVED EQUAL.

OPTION 2

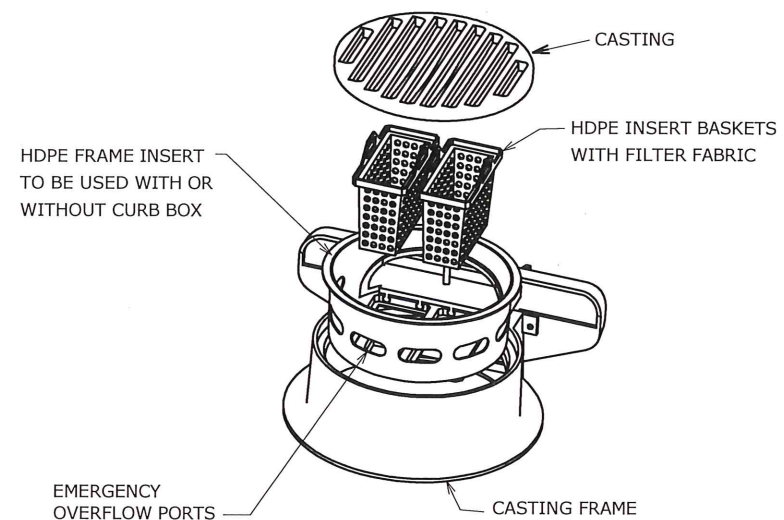


NOTE:

- INLET PROTECTION DEVICE AS MANUFACTURED BY WIMCO OR ENGINEER APPROVED EQUAL.

TYPE 2A, 3B, AND 3C CATCH BASIN (ROUND)

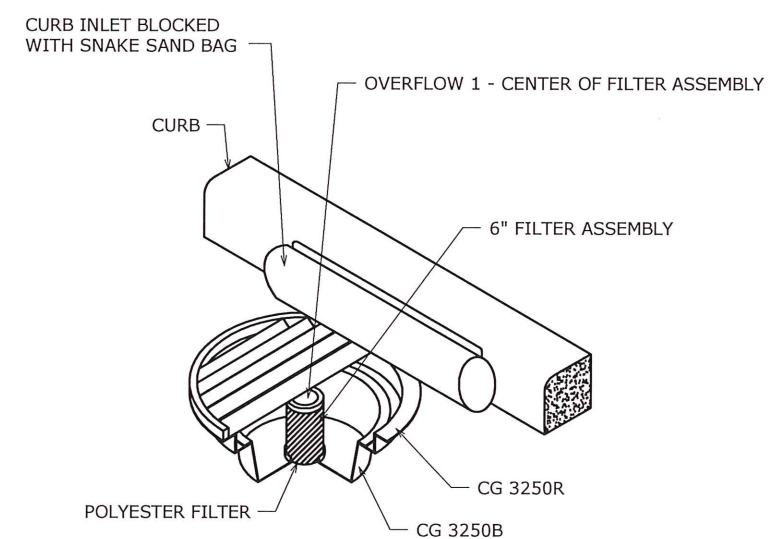
OPTION 1



NOTES:

- HDPE INSERT BASKETS SHALL BE EMPTIED WHEN 2/3 FULL AND GEOTEXTILE FILTER FABRIC SHALL BE REPLACED, AS REQUIRED, IF DEFECTS EXIST.
- INLET PROTECTION DEVICE AS MANUFACTURED BY ROYAL ENVIRONMENTAL SYSTEMS OR ENGINEER APPROVED EQUAL.

OPTION 2



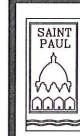
NOTE:

- INLET PROTECTION DEVICE AS MANUFACTURED BY WIMCO OR ENGINEER APPROVED EQUAL.

REVISION: 3/27/2018

DATE APPROVED:

Todd Kurtz
CITY ENGINEER



I hereby certify that this plan, specification or report was prepared by me or under my direct supervision and that I am a duly Licensed Professional Engineer under the laws of the State of Minnesota

Clayton Bass
SEWER DESIGN ENGINEER

Date: 3/27/2018 Lic. No. 26424

TEMPORARY SEDIMENT CONTROL

STORM DRAIN INLET PROTECTION

STANDARD PLATE NO. 2400A