

APPROVED 1-23-2017
Paul J. Sutt
 CITY ENGINEER

CITY OF ST. PAUL
 DEPARTMENT OF PUBLIC WORKS
 CATCH BASIN, TYPE 2C

Date of Revision
 JAN 2017

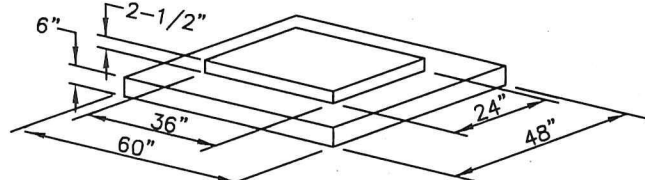
Standard Plate No.
 2017

Date 1-20-2017 Lic. No. 256424

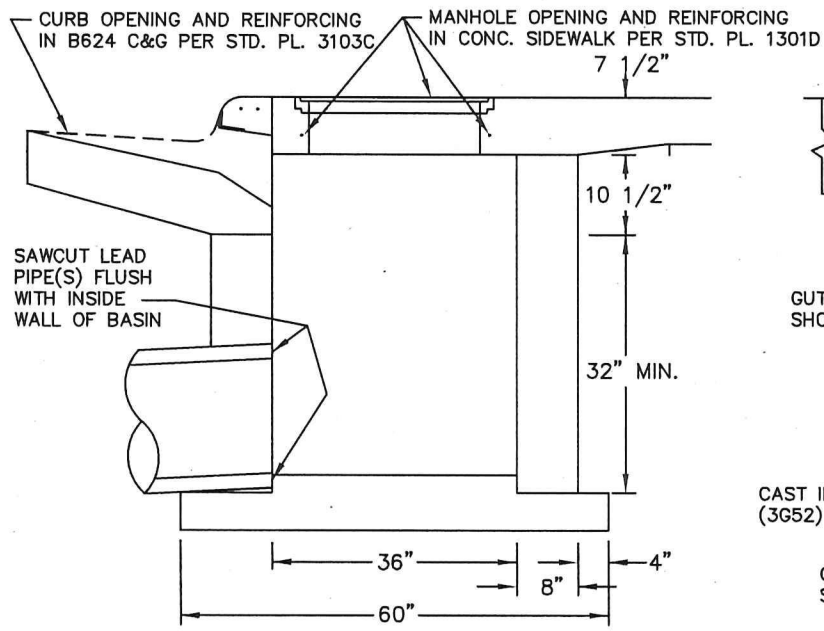
AARON D. HASS
Aaron D. Hass
 Professional Engineer under the laws of the State of Minnesota

NOTES:

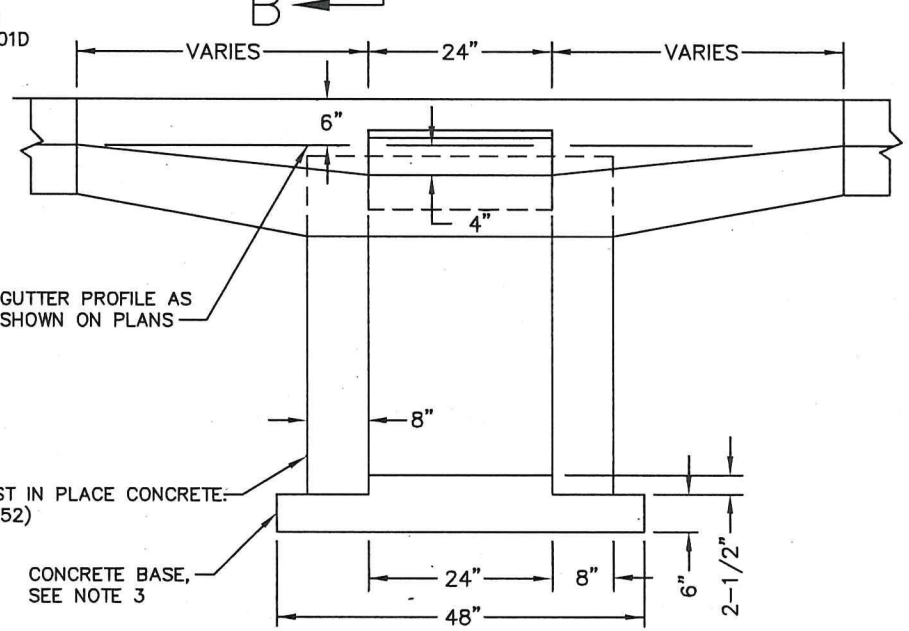
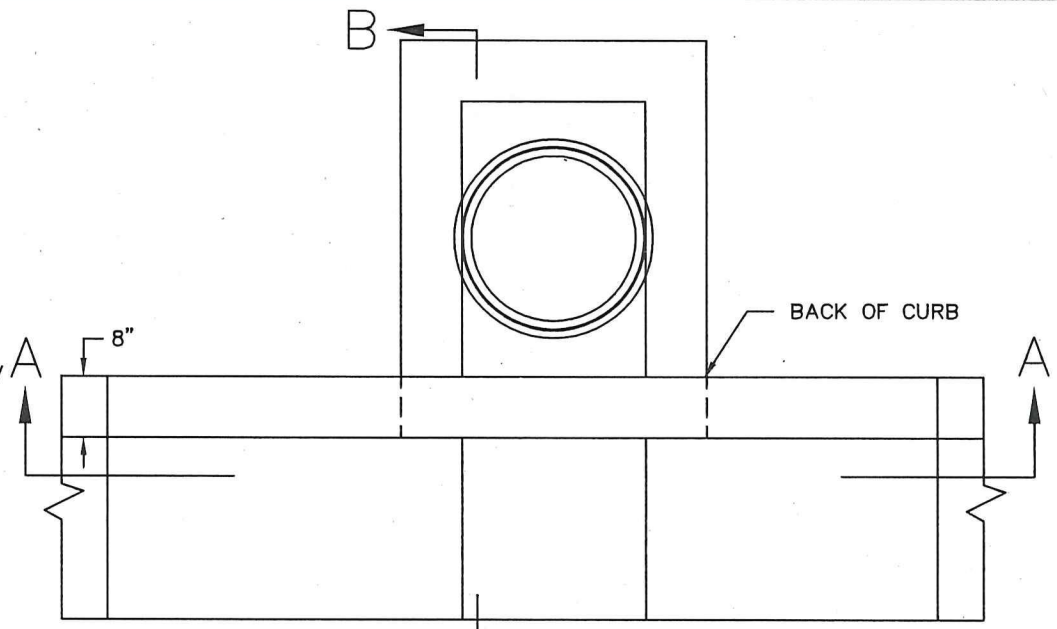
1. FLOW LINE DEPRESSION SHOWN APPLY TO B-624 CURB. CURB OPENING IS PER (STD PLATE 3103B)
2. MANHOLE OPENING IN CONCRETE SIDEWALK PER STD. PL. 1301D OR AS NOTED IN THE PLANS.
3. AT THE CONTRACTORS OPTION, THE BOTTOM SLAB MAY ALSO BE CAST IN PLACE CONCRETE.
4. ALL CAST IN PLACE CONCRETE SHALL BE MN/DOT MIX 3G52 AND SHALL BE RODDED IN PLACE OR MECHANICALLY VIBRATED TO ASSURE DENSITY AND ELIMINATE HONEYCOMBING.
5. CATCH BASIN LEAD TO BE 15" R.C.P., CL.V UNLESS OTHERWISE NOTED.



ISOMETRIC VIEW OF CATCH BASIN BASE



SEC. B-B



SEC. A-A