

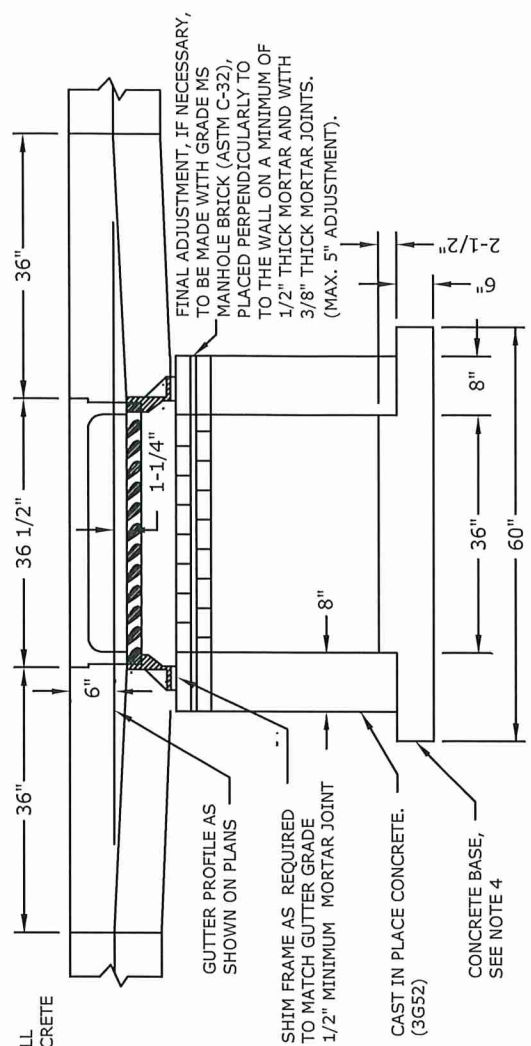
ISOMETRIC VIEW OF CATCH BASIN BASE

- NOTES:**
1. TAPER & FLOW LINE DEPRESSION SHOWN APPLY TO B-624 CURB. NO TAPER IS REQUIRED WHEN USED WITH INTEGRAL CURB & WALK (STD. PLATE 1300D)
  2. FRAME CASTING SHALL MATCH INSIDE OPENING OF BASIN. NO OFFSET WILL BE ALLOWED.
  3. FRAME, GRATE AND CURB BOX AS PER STD. PL. 2211 OR AS NOTED IN THE PLANS.
  4. AT THE CONTRACTORS OPTION, THE BOTTOM SLAB MAY ALSO BE CAST IN PLACE CONCRETE.
  5. ALL CAST IN PLACE CONCRETE SHALL BE M/DOT MIX 3G52 AND SHALL BE RODDED IN PLACE OR MECHANICALLY VIBRATED TO ASSURE DENSITY AND ELIMINATE HONEYCOMBING.
  6. SEE STANDARD PLATE 3108A FOR USE WITH MOUNTABLE CURB.
  7. CATCH BASIN LEAD TO BE 15" R.C.P., CL.V UNLESS OTHERWISE NOTED.
  8. IF 2 OR MORE LIFTS ARE USED (6) #4 REINFORCING BARS, 12" LONG SHALL BE DRILLED AND GROUDED INTO THE PREVIOUSLY POURED 8" CONCRETE LIFT WALLS

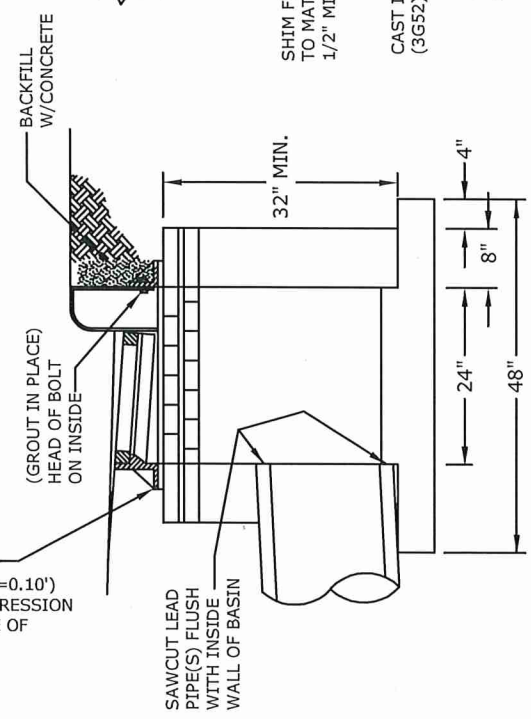
I hereby certify that this plan, specification or report was prepared by me or under my direct supervision and that I am a duly Licensed Professional Engineer under the laws of the State of Minnesota

*Aaron D. Hass*  
AARON D. HASS

Date 01-03-2022 Lic. No. 26424



SEC. A-A



SEC. B-B

APPROVED *1-4-2022*  
*Paul M. Kuntz*  
CITY ENGINEER

CITY OF ST. PAUL  
DEPARTMENT OF PUBLIC WORKS  
**CATCH BASIN, TYPE 7B**

Date of Revision  
JAN 2022

Standard Plate No.  
2016C